



GEC Space Place Subcommittee
Public Spaces Family Restroom Study
University of Illinois Urbana-Champaign



Table of Contents

Gender Equity Design Checklist - Restrooms	1-6
1_Alumni Center	7-10
2_Athletic Recreation Center (ARC)	11-14
3_Assembly Hall	15-18
4_Campus Recreation Center East (CRCE)	19-22
5_Foellinger Auditorium	23-26
6_George Huff Hall	27-30
7_Ice Arena	31-34
8_Illini Union	35-38
9_Krannert Art Museum	39-42
10_Krannert Center for the Performing Arts	43-46
11_Spurlock Museum	47-50

Gender Equity Design Checklist - Restrooms

Do Men's Urinals Offer Enough Privacy?

BAD



BETTER



BEST



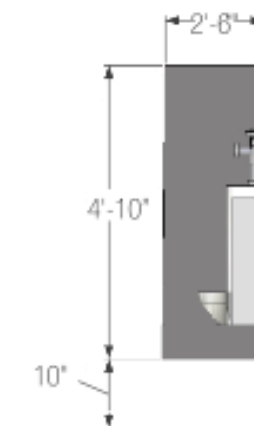
- No partitions between men's urinals can be uncomfortable for some men.
- Adequate space should be provided between urinals. Most men despise trough urinals.
- Partitions are present, but not enough spacing in between urinal stalls.
- Men with shy bladder syndrome and pauresis suffer when stalls are too close together.
- + Maximum spacing between urinals and stalls allow for larger men and/or men with bulky outerwear to be accomodated and offer more privacy.



WRIGLEY FIELD TROUGH URINALS



SECTION THROUGH URINAL



SECTION THROUGH INCREASED PRIVACY URINAL

Gender Equity Design Checklist - Restrooms

Do Women's Toilets Offer Enough Privacy?

BAD



- Toilet partition distance from ground is too high allowing people to see under stall. Feet and shoes can be identified.
- Women with shy bladder syndrome and pauresis are uncomfortable under these conditions.

BETTER

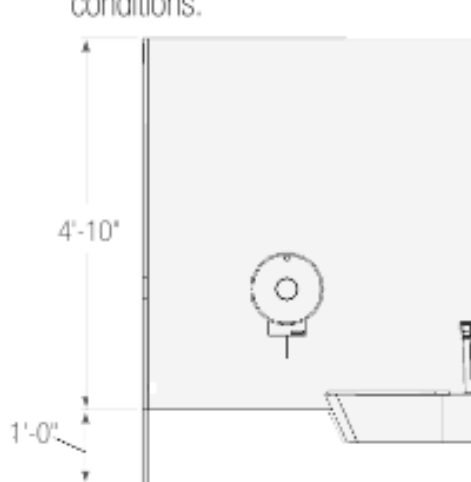


- Partitions provided adequate spacing between toilet stalls and proper height for privacy.

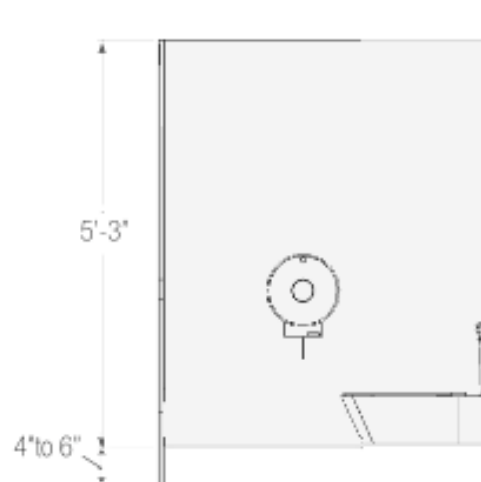
BEST



- + Total enclosure of stalls with door locks provides maximum visual and auditory privacy.
- + Distance between toilet partitions is wide enough to accommodate larger women and bulky outerwear.



SECTION THROUGH STALL: Standard Dimensions



SECTION THROUGH STALL: Increased Privacy

Gender Equity Design Checklist

Are Baby-Changing Spaces Adequate?

BAD



BETTER

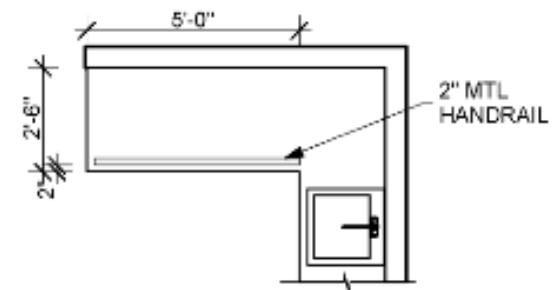


BEST



- Are there baby-changing stations provided in men's and women's restrooms?
- Is baby-changing station located near a sink and/or paper towels?

- + The optimal baby-changing space should provide enough space for baby changing bags and accessories.
- + The location of baby-changing stations should also be convenient for parents with multiple children.

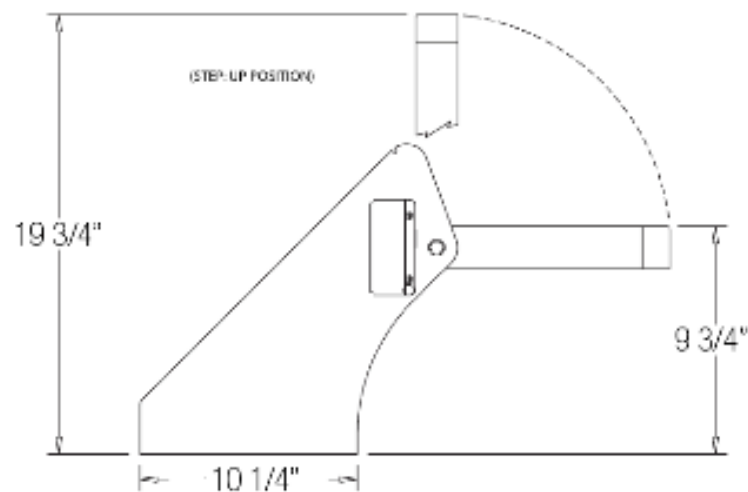


Are There Adequate Family Restrooms?

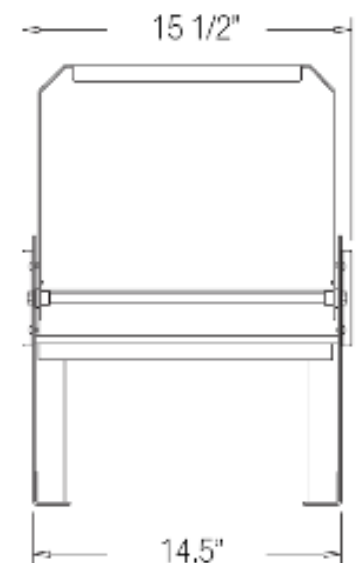
Solution Detail - Step 'N Wash



STEP 'N WASH STEP



SECTION THROUGH STEP



FRONT VIEW IN UP POSITION

Gender Equity Design Checklist - Restrooms

Are There Adequate Family Restrooms?

BAD



BETTER



BEST



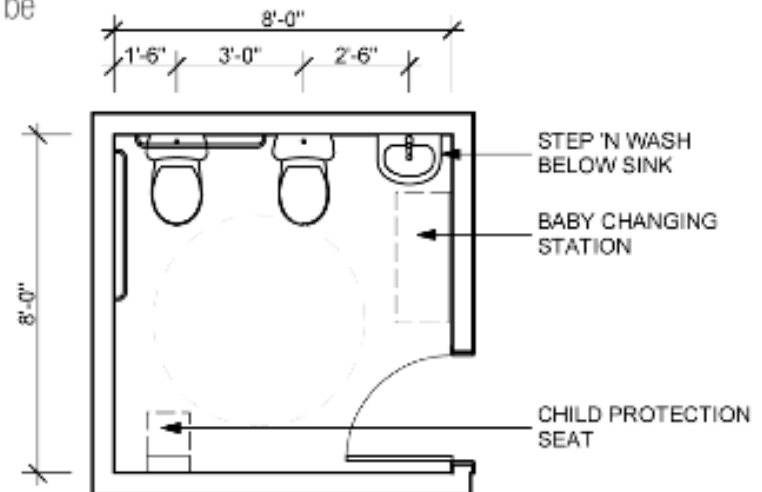
- Older or weaker persons may have difficulty lifting children to reach sinks.
- A possible solution is Step 'N Wash, a self retracting step for public restrooms enabling children to safely and effectively wash their hands without assistance. (See next page detail)

- Men or women with several children and/or baggage can have difficulty finding a place for all their items.
- Retractable child protection seat requires minimal space and can be attached to existing stalls.

- + Offer both adult and child sized fixtures in a space approx. 8'-0" X 8'-0".



CHILD PROTECTION SEAT



FAMILY RESTROOM DUAL TOILETS

Gender Equity Design Checklist - Lactation Spaces

Are There Adequate Lactation Rooms?

BAD



- Does the lactation space meet the legal requirements - other than a toilet stall -- for "reasonable accommodations" for nursing mothers?
- Is the lactation space in a safe, convenient, clean location?

BETTER



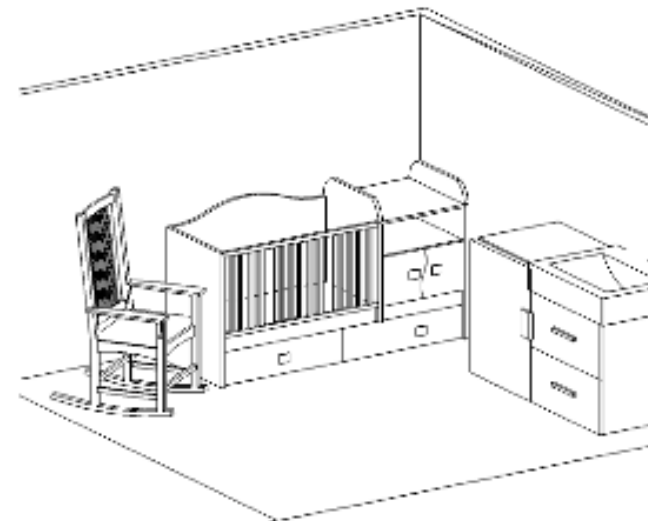
- Are pumps supplied that several mothers can share a room different times of the day?
- If no lock is available, are there adequate options for privacy such as drawing down blinds?
- Is the lactation space of high enough quality to allow the building to use the designation "infant friendly" or be part of a Working Well Mom's program?

BEST



The best lactation room should include:

- + a sitting area
- + a door with private lock
- + a refrigerator
- + outlets for breast pumps
- + a space approx. 7' x 7'



Facility Ratings

	Family Restroom	Unisex Restroom	Partitions (M)	Partitions (W)	Changing Table (M)	Changing Table (W)	Lactation Space	Retractable Child Protection Seat	Step & Wash
Alumni Center	No -	No -	Best +	Best +	Bad -	Bad -	Bad -	No -	No -
ARC	Yes +	Yes +	-	-	Better ●	Better ●	Bad -	No -	No -
Assembly Hall	No -	No -	Bad -	Bad -	Bad -	Better ●	Bad -	No -	No -
CRCE	Yes +	Yes +	-	-	Better ●	Better ●	Bad -	No -	No -
Foellinger	No -	No -	Bad -	Bad -	Bad -	Bad -	Bad -	No -	No -
Huff Hall	No -	Yes +	Better	Bad -	Bad -	Bad -	Bad -	No -	No -
Ice Arena	No -	No -	Bad -	Bad -	Better ●	Bad -	Bad -	No -	No -
Illini Union	No -	Yes +	Bad -	Bad -	Bad -	Bad -	Bad -	No -	No -
KAM	No -	No -	Better ●	Bad -	Better ●	Bad -	Bad -	No -	No -
KCPA	No -	Yes +	Better ●	Bad -	Bad -	Better ●	Bad -	No -	No -
Spurlock Museum	No -	No -	Best +	Bad -	Better ●	Better ●	Bad -	No -	No -

Nowhere in the 11 Facilities is there a designated lactation space that meets the legal requirements – other than a toilet stall - for reasonable accommodations for nursing mothers.



The Ice Arena
406 E Armory Ave
Champaign, IL

Observations

- _No Family Restrooms
- _No Unisex Restroom
- _One Men's Room and One Women's Room located near the entrance to the building
- _Bathrooms are easy to find
- _Good privacy separation between hallway and interior of the bathrooms
- no "line of sight" issues

Men's Restroom:

- _Partitions (Bad)
 - No Partitions between men's urinals (Figure 3)
- _Changing Station (Better)
 - Baby-changing station is located near a sink and paper towels. (Figure 1)

Women's Restroom

- _Lactation Space (Bad)
 - Lactation space is non-existent and thus does not meet the legal requirements for reasonable accommodations for nursing mothers.
- _Partitions (Bad)
 - Toilet partition distance from the ground is too high allowing people to see under the stall. Feet and shoes can be identified. (Figure 4)
- _Changing Station (Bad)
 - Located inside the handicap stall the changing station is not located near a sink or paper towels (Figure 2)



Figure 1



Figure 2



Figure 3



Figure 4

Ice Arena Plan



Men's
Women's
Potential

Conclusion: Of the 11 facilities in the study the Ice Arena is arguably the one that sees the most family traffic and yet it has no family restroom, no unisex restroom, and poor men's and women's restroom conditions. There are a number of spaces in the facility that could potentially be converted into a family restroom.